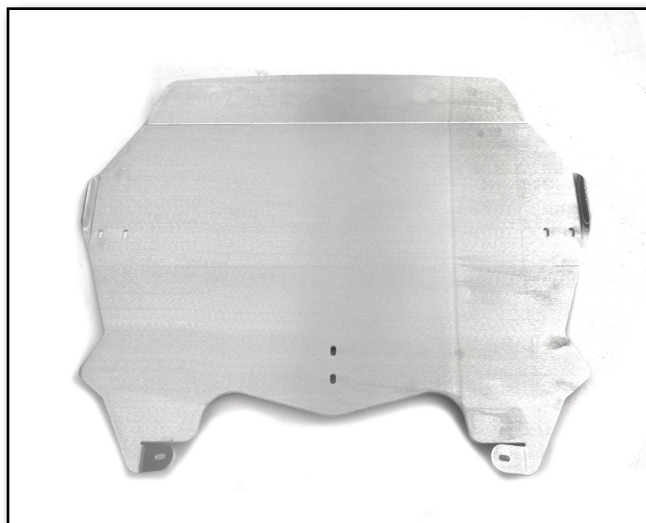
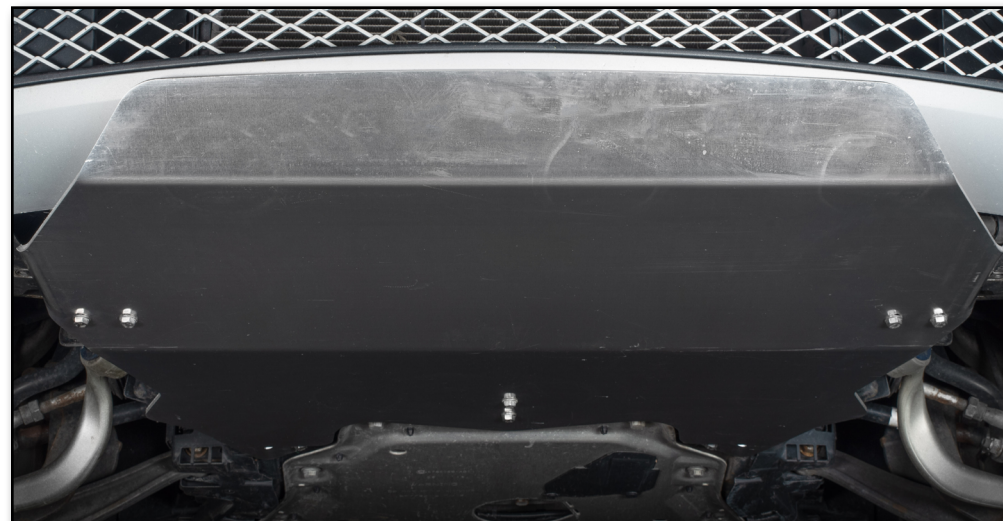




BMW E70 X5 Skid Plate
Installation Instructions - [Click HERE to Shop](#)



Skill Level
2 - Moderate
Some Experience
Recommended



Proper service and repair procedures are vital to the safe, reliable operation of all motor vehicles as well as the personal safety of those performing the repairs. Standard safety procedures and precautions (including use of safety goggles and proper tools and equipment) should be followed at all times to eliminate the possibility of personal injury or improper service which could damage the vehicle or compromise its safety.

INSTALLATION NOTES

- **RH** refers to the *passenger side* of the vehicle.
- **LH** refers to the *driver side* of the vehicle.
- Always use the proper torque specifications.
- If applicable to this installation, torque specifications will be listed throughout the document and at the end as well.
- Please read all of these instructions and familiarize yourself with the complete process **BEFORE** you begin.

GENERAL PREPARATION AND SAFETY INFORMATION

ECS Tuning cares about your health and safety, please read the following safety information. This information pertains to automotive service in general, and while it may not pertain to every job you do, please remember and share these important safety tips.

- Park your car in a safe, well lit, level area.
- Shut the engine off and remove the key from the ignition switch.
- Make sure any remote start devices are properly disabled.
- **ALWAYS** wear safety glasses.
- Make sure the parking brake is applied until the vehicle is safely lifted and supported.
- Whether lifting a vehicle using an automotive lift or a hydraulic jack, be sure and utilize the factory specified lift points.
- Lifting a vehicle in an incorrect location can cause damage to the suspension/running gear.
- **ALWAYS** support the vehicle with jack stands.
- **ALWAYS** read and follow all safety information and warnings for the equipment you are using.

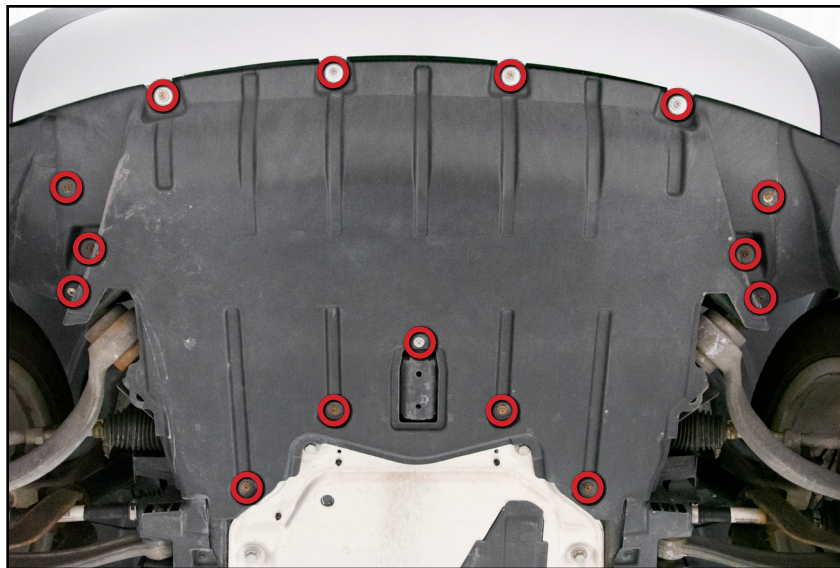


NEVER get underneath a vehicle that is supported only by a jack, and **ALWAYS** make sure that the vehicle is securely supported on jack stands.

REMOVING THE STOCK BELLY PAN

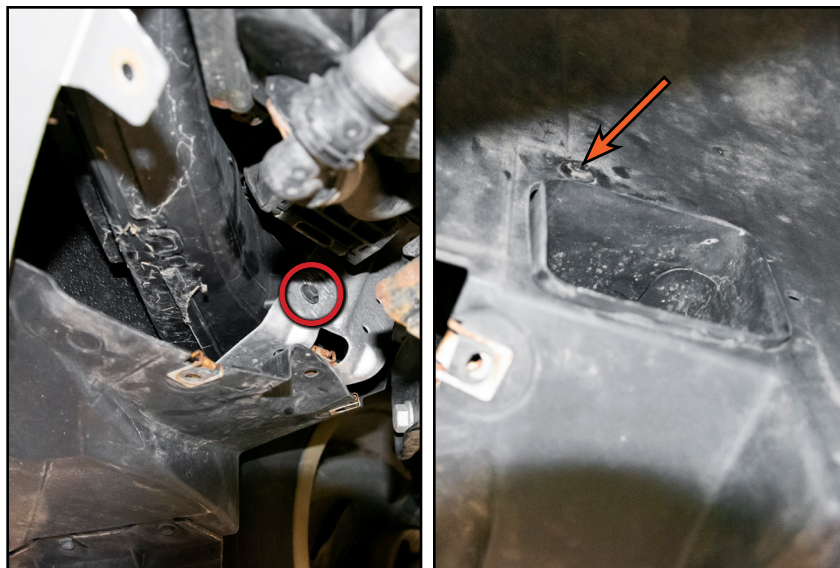
Step 1: Phillips Head Screwdriver

Remove the fasteners (circled in **RED**) which secure the belly pan and bumper cover to the underside of the vehicle. Remove the belly pan.



Step 2: Trim Removal Tool, 8mm Socket & Ratchet

Remove the fastener (circled in **RED**) which secures the brake duct to the bracket on either side. Remove the push rivet (arrow) which secures the brake duct to the fender liner on either side.



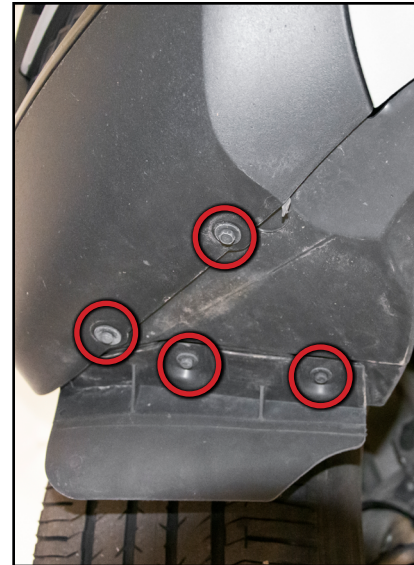
REMOVING THE STOCK BELLY PAN

Step 3: 8mm Socket & Ratchet

Remove the six screws (circled in **RED**) which secure the fender liner to the bumper on either side.

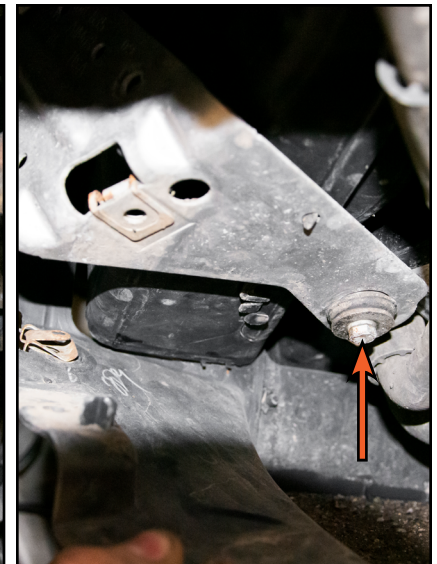


You may choose to remove the wheel and fender liner altogether to gain some additional room to work. This will come in handy when removing and installing the ducts.



Step 4: 10mm Socket & Ratchet

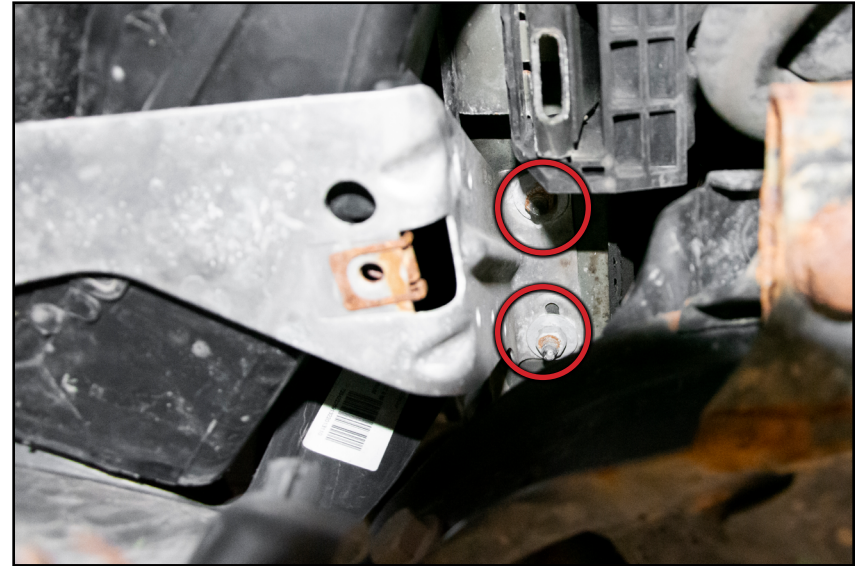
Pull down on the fender liner to access the bottom of each brake duct bracket and pop it free from its mounting grommet. The LH (driver's) side bracket has an additional bolt (arrow) securing the bracket to the grommet which must be removed.



REMOVING THE STOCK BELLY PAN

Step 5: 13mm Socket & Ratchet

Looking upward, remove the two bolts (circled in **RED**) which secure each bracket to the underside of the frame rail, then remove the bracket.



Step 6:

Carefully unclip each brake duct from the lower grille area of the bumper cover, then guide the brake duct out from the vehicle as shown.



REMOVING THE STOCK BELLY PAN

Step 7: 13mm Socket & Ratchet

Remove the two lower bolts (circled in **RED**) from the front of the frame rail on either side.



Step 8: 18mm Wrench, 18mm Socket & Ratchet

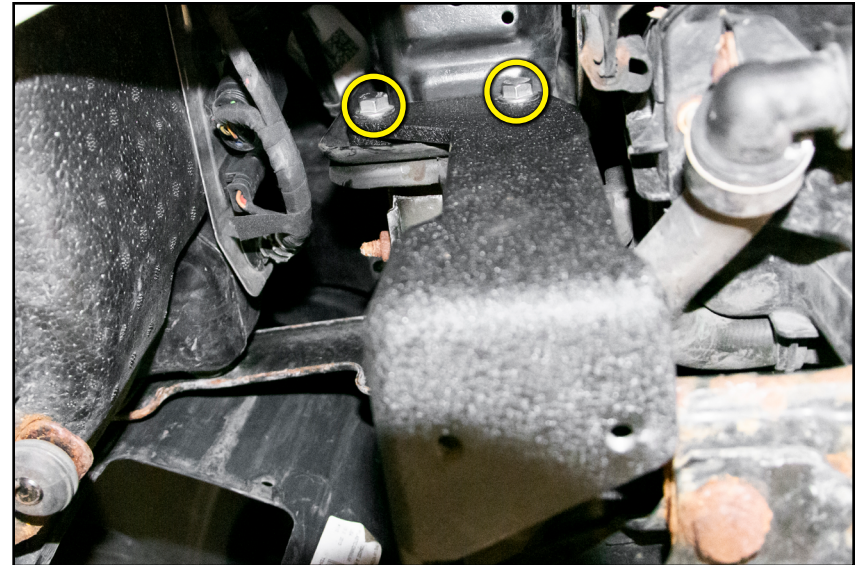
Counterhold the nut and remove the bolt (arrow) which secures the tension arm to the subframe on either side.



INSTALLING THE NEW SKID PLATE

Step 1: 13mm Socket & Ratchet

Lift each front brace up onto the front of the frame rail, then install the two M8 x 30mm bolts (circled in **YELLOW**) but leave them loose enough to allow for adjustment.



Step 2: 18mm Wrench, 18mm Socket & Ratchet

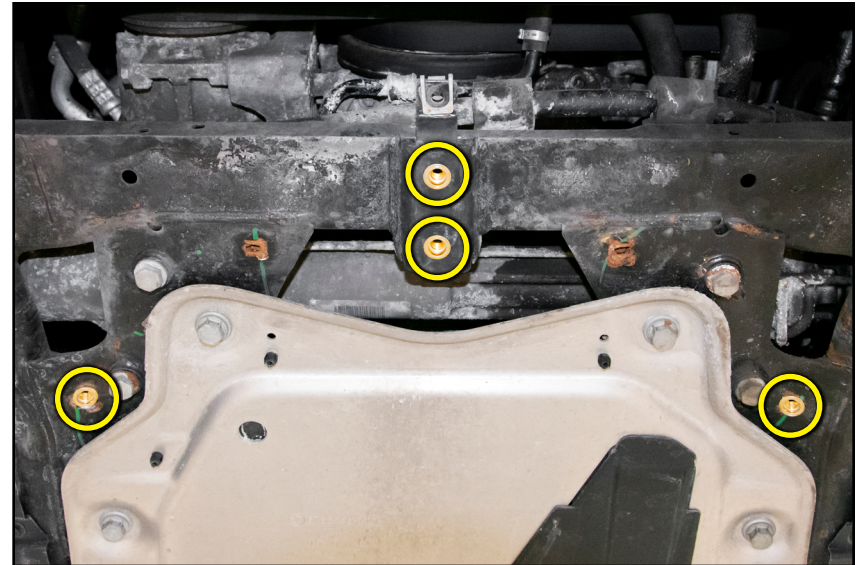
Reinstall the tension arm bolt (arrows in inset photos) and nut to secure each brace to the subframe. Leave the nuts loose for now.



INSTALLING THE NEW SKID PLATE

Step 3: 17/32" Drill Bit & Drill

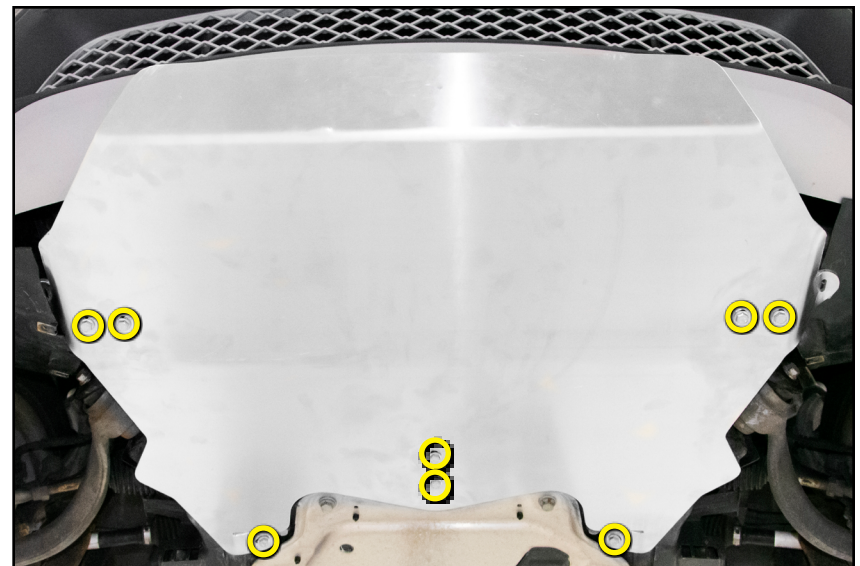
The provided riv nuts (circled in **YELLOW**) must be installed into the four locations shown in the photo on the right. In order to install the riv nuts, each hole needs drilled out with a 17/32" drill bit.



Step 4: 13mm Socket & Ratchet

Lift the skid plate into place and test fit it to ensure all bolts can be easily threaded in. If needed, adjust the front brackets until proper alignment is achieved, then remove the skid plate and fully tighten the bolts securing the braces to the frame rail.

Go back and torque the tension arm nuts to 100 Nm (74 Ft-lbs) + 90 degrees at ride height.



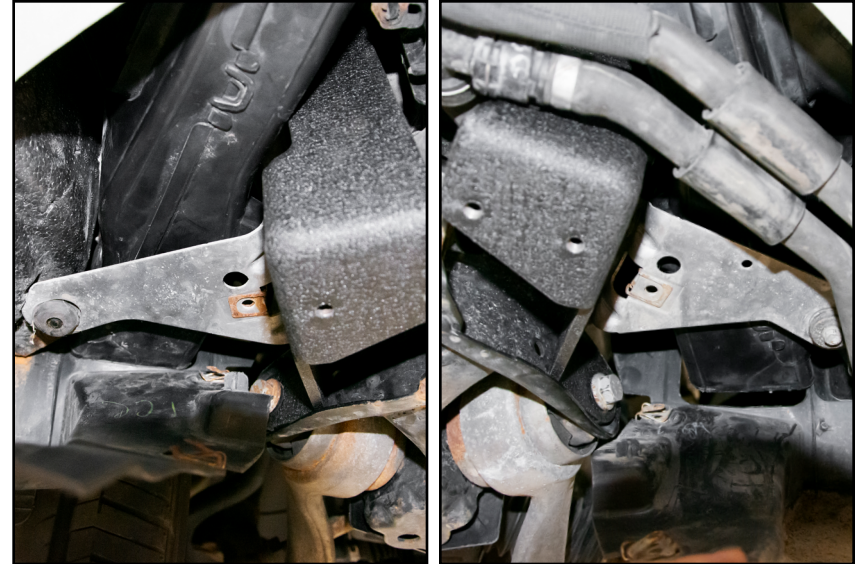
INSTALLING THE NEW SKID PLATE

Step 5: 8mm, 10mm, 13mm Socket & Ratchet

Reinstall the brake ducts and brackets in reverse order of removal as shown.

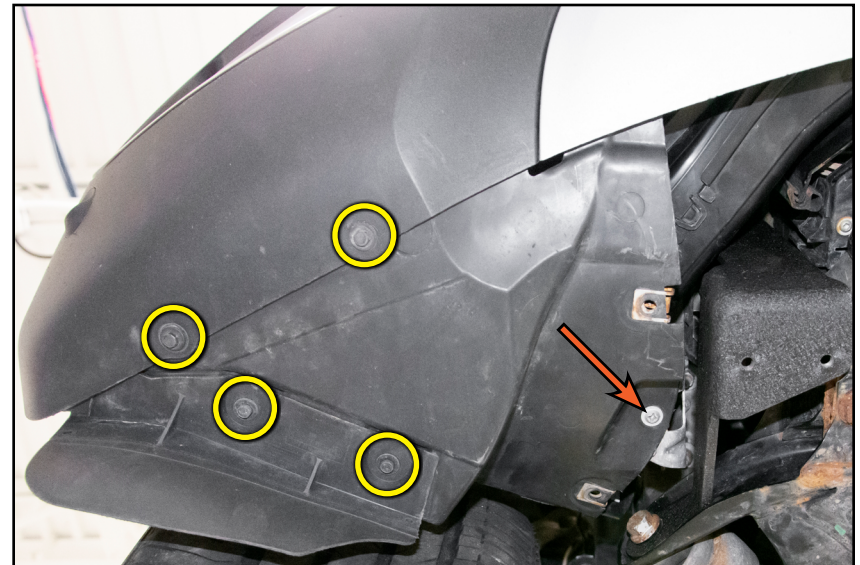


If you are having trouble getting the brake ducts reinstalled with the braces in place, you may find removing the fender liners makes it a little easier.



Step 6: Phillips Head Screwdriver, 8mm Socket & Ratchet

Reinstall the four screws (circled in **YELLOW**) which secure each front fender liner to the underside of the bumper, then reinstall one of the OE screws (arrow) to secure each fender liner to the brake duct bracket.



INSTALLING THE NEW SKID PLATE

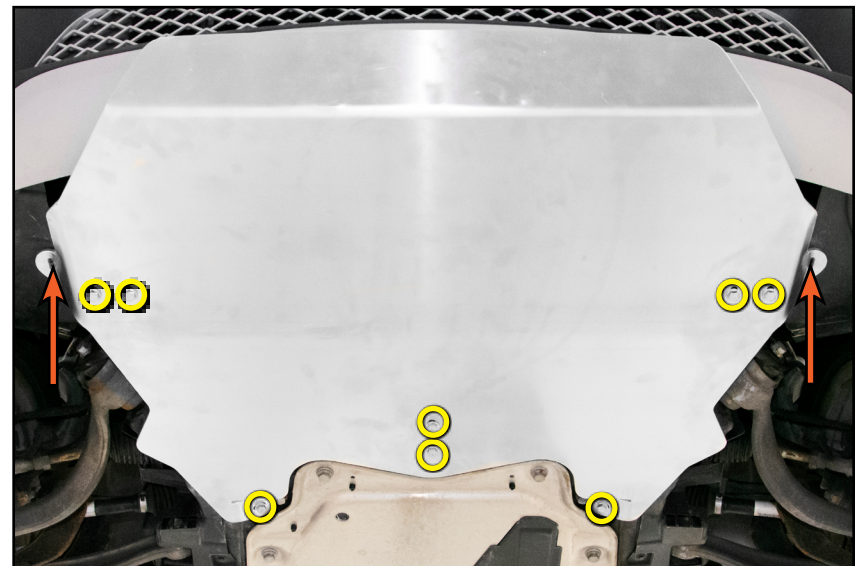
Step 7: 8mm Socket & Ratchet

Reinstall the two screws (circled in **YELLOW**) which secure each fender liner to the bumper.



Step 8: Phillips Head Screwdriver, 13mm Socket & Ratchet

Lift the skid plate up into place and secure it with the eight M8 x 25mm bolts (circled in **YELLOW**). Reinstall two of the OE screws (arrows) to secure the fender liners to the sides of the skid plate.



Your Skid Plate installation is complete!



These instructions are provided as a courtesy by ECS Tuning

Proper service and repair procedures are vital to the safe, reliable operation of all motor vehicles as well as the personal safety of those performing the repairs. Standard safety procedures and precautions (including use of safety goggles and proper tools and equipment) should be followed at all times to eliminate the possibility of personal injury or improper service which could damage the vehicle or compromise its safety.

Although this material has been prepared with the intent to provide reliable information, no warranty (express or implied) is made as to its accuracy or completeness. Neither is any liability assumed for loss or damage resulting from reliance on this material. SPECIFICALLY, NO WARRANTY OF MERCHANTABILITY, FITNESS FOR A PARTICULAR PURPOSE OR ANY OTHER WARRANTY IS MADE OR TO BE IMPLIED WITH RESPECT TO THIS MATERIAL. In no event will ECS Tuning, Incorporated or its affiliates be liable for any damages, direct or indirect, consequential or compensatory, arising out of the use of this material.