



# VW MK4 Billet Power Steering Reservoir Installation Instructions - [Click HERE to Shop](#)



**Skill Level**  
**1 - Easy**  
**Basic Skills**  
**Required**



Proper service and repair procedures are vital to the safe, reliable operation of all motor vehicles as well as the personal safety of those performing the repairs. Standard safety procedures and precautions (including use of safety goggles and proper tools and equipment) should be followed at all times to eliminate the possibility of personal injury or improper service which could damage the vehicle or compromise its safety.

## INSTALLATION NOTES

- **RH** refers to the *passenger side* of the vehicle.
- **LH** refers to the *driver side* of the vehicle.
- Always use the proper torque specifications.
- If applicable to this installation, torque specifications will be listed throughout the document and at the end as well.
- Please read all of these instructions and familiarize yourself with the complete process **BEFORE** you begin.

## GENERAL PREPARATION AND SAFETY INFORMATION

ECS Tuning cares about your health and safety, please read the following safety information. This information pertains to automotive service in general, and while it may not pertain to every job you do, please remember and share these important safety tips.

- Park your car in a safe, well lit, level area.
- Shut the engine off and remove the key from the ignition switch.
- Make sure any remote start devices are properly disabled.
- **ALWAYS** wear safety glasses.
- Make sure the parking brake is applied until the vehicle is safely lifted and supported.
- Whether lifting a vehicle using an automotive lift or a hydraulic jack, be sure and utilize the factory specified lift points.
- Lifting a vehicle in an incorrect location can cause damage to the suspension/running gear.
- **ALWAYS** support the vehicle with jack stands.
- **ALWAYS** read and follow all safety information and warnings for the equipment you are using.

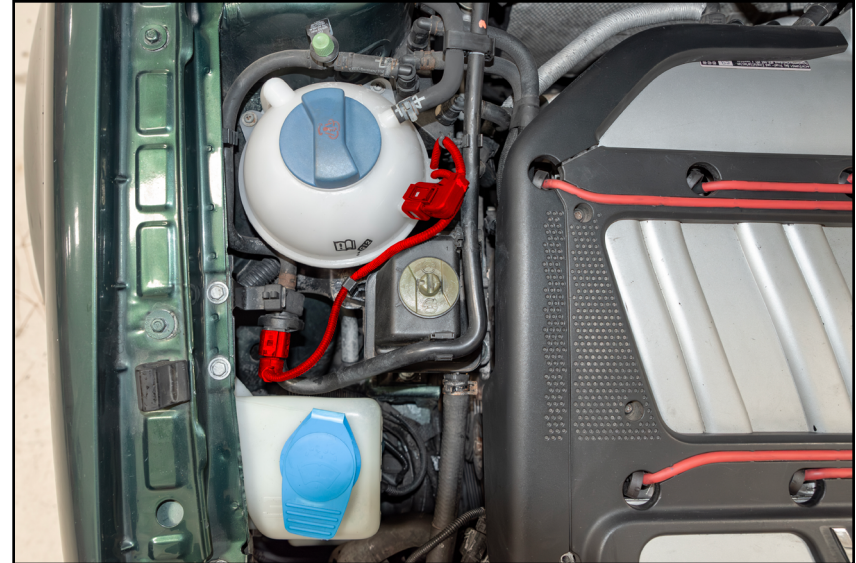


**NEVER** get underneath a vehicle that is supported only by a jack, and **ALWAYS** make sure that the vehicle is securely supported on jack stands.

# POWER STEERING RESERVOIR INSTALLATION

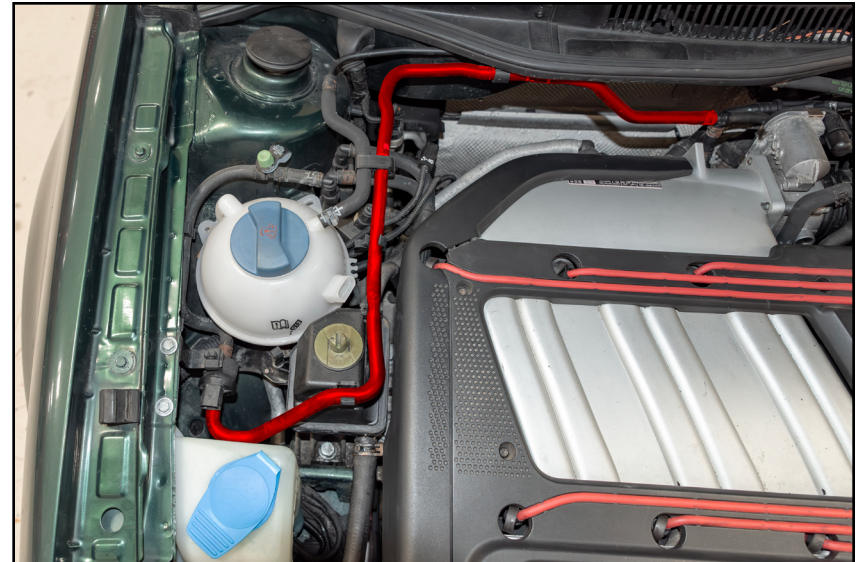
## Step 1:

Disconnect the connectors (highlighted in **RED**) for the coolant level sensor and purge valve, free the wires from the clips, and move them out of the way.



## Step 2:

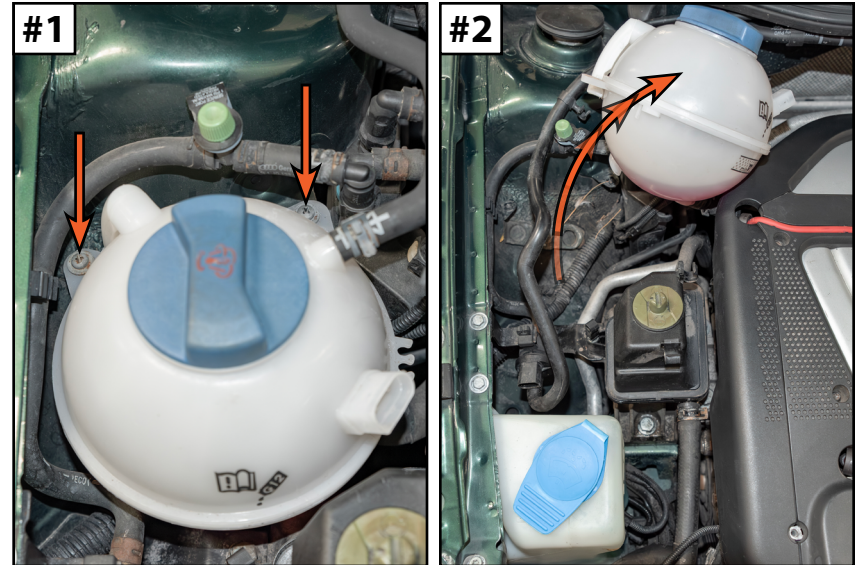
Free up the hose (highlighted in **RED**) from the power steering reservoir and clips.



## POWER STEERING RESERVOIR INSTALLATION

### Step 3: Phillips Head Screwdriver

Remove the screws (arrows in **Photo #1**) and move the coolant expansion tank out of the way slightly (as shown in **Photo #2**).



### Step 4: Pinch-Off Pliers, Hose Clamp Pliers

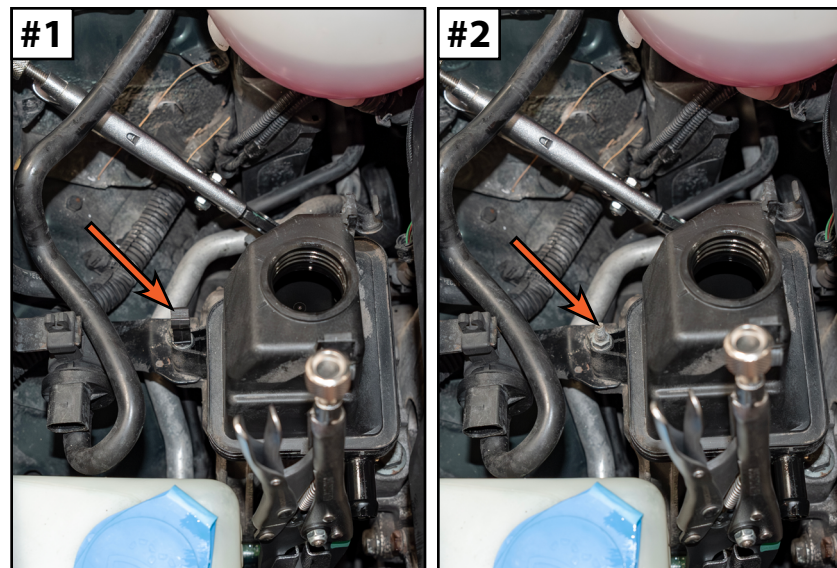
Remove the power steering reservoir cap and extract as much fluid as possible to reduce spillage. Pinch-off both hoses (highlighted in **RED**), compress the clamps (arrows), and pull the hoses off of the reservoir.



## POWER STEERING RESERVOIR INSTALLATION

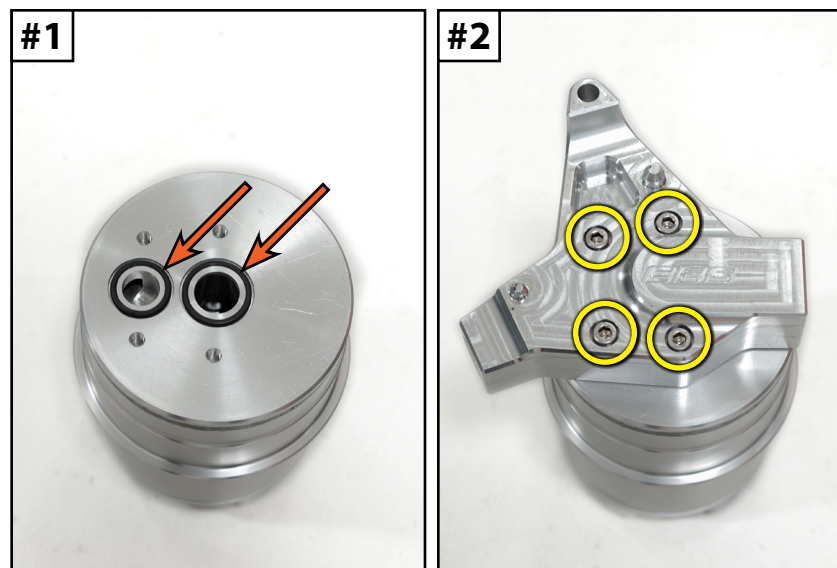
### Step 5: 10mm Socket & Ratchet

Remove the wiring clip (arrow in **Photo #1**), then remove the reservoir mounting screw (arrow in **Photo #2**) and remove the reservoir from the vehicle.



### Step 6: 4mm Hex (Allen) Socket & Ratchet

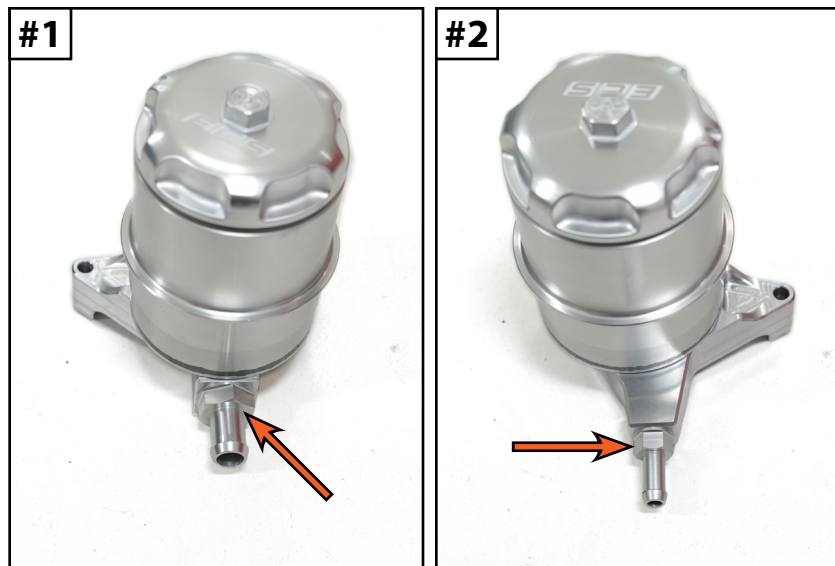
Install the provided o-rings (arrows in **Photo #1**) into the grooves on the bottom of the new reservoir, then install the base onto the bottom of the reservoir, securing it in place with the provided M5 x 25mm screws (circled in **YELLOW** in **Photo #2**).



## POWER STEERING RESERVOIR INSTALLATION

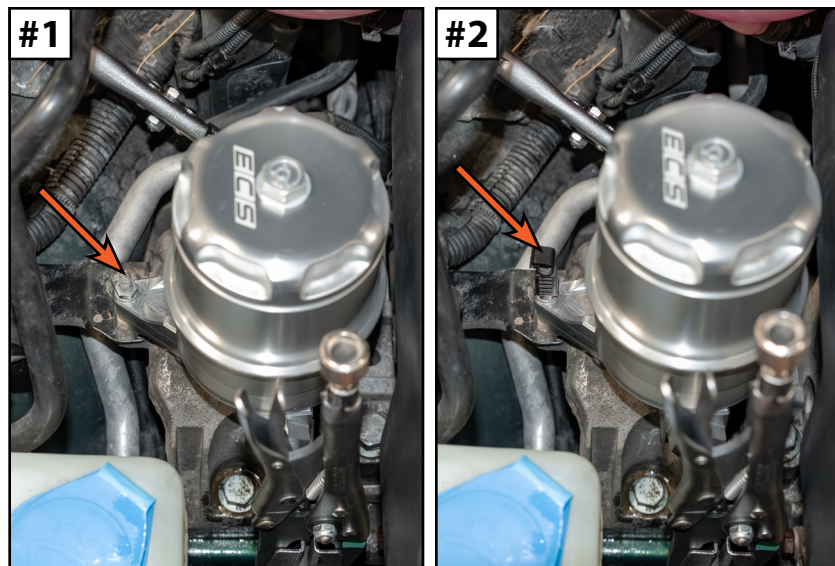
**Step 7:** 16mm Wrench, 24mm Wrench

Thread the provided fittings (arrows in **Photos #1 & #2**) into the reservoir base, tightening until snug.



**Step 8:** 10mm Socket & Ratchet

Install the new reservoir, ensuring the locating dowels engage the holes in the top of the engine mount, then reinstall the reservoir mounting screw (arrow in **Photo #1**), tightening until snug. Reinstall the wiring clip (arrow in **Photo #2**).



## POWER STEERING RESERVOIR INSTALLATION

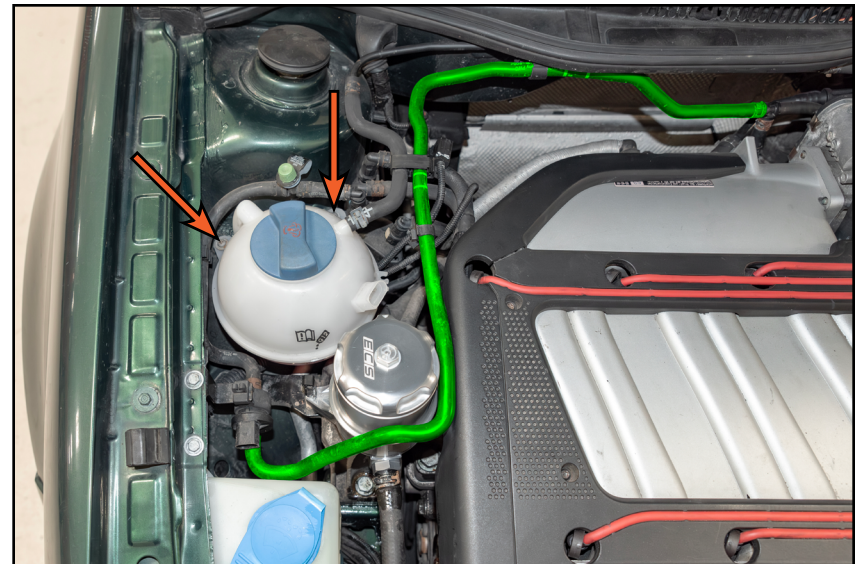
### Step 9: Hose Clamp Pliers

Slide the hoses (highlighted in **GREEN**) onto the fittings on the reservoir, then reposition the clamps (arrows) and release the pinch-off pliers.



### Step 10: Phillips Head Screwdriver

Reinstall the coolant expansion tank and reinstall the screws (arrows), reposition the hose (highlighted in **GREEN**) as shown and secure it to the clips.



## POWER STEERING RESERVOIR INSTALLATION

### Step 11:

Reconnect the coolant level sensor and purge valve connectors (highlighted in **GREEN**) and resecure the wires to the clips.



### Step 12:

Open the cap and fill the reservoir with fresh power steering fluid until the fluid level reaches the logo plate. Close the reservoir, start the vehicle and turn the steering wheel from lock to lock to bleed the power steering system. Check and refill the reservoir, if needed.



***Congratulations, your installation is complete!***

## Your Power Steering Reservoir installation is complete!



### **These instructions are provided as a courtesy by ECS Tuning**

Proper service and repair procedures are vital to the safe, reliable operation of all motor vehicles as well as the personal safety of those performing the repairs. Standard safety procedures and precautions (including use of safety goggles and proper tools and equipment) should be followed at all times to eliminate the possibility of personal injury or improper service which could damage the vehicle or compromise its safety.

Although this material has been prepared with the intent to provide reliable information, no warranty (express or implied) is made as to its accuracy or completeness. Neither is any liability assumed for loss or damage resulting from reliance on this material. SPECIFICALLY, NO WARRANTY OF MERCHANTABILITY, FITNESS FOR A PARTICULAR PURPOSE OR ANY OTHER WARRANTY IS MADE OR TO BE IMPLIED WITH RESPECT TO THIS MATERIAL. In no event will ECS Tuning, Incorporated or its affiliates be liable for any damages, direct or indirect, consequential or compensatory, arising out of the use of this material.