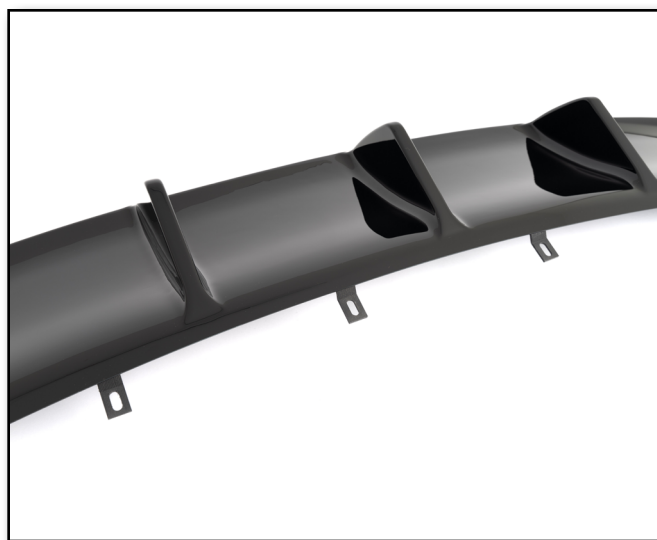




Audi B8.5 A4 S-Line ABS Rear Diffuser
Installation Instructions - [Click HERE to Shop](#)



Skill Level
1 - Easy
Basic Skills
Required



Proper service and repair procedures are vital to the safe, reliable operation of all motor vehicles as well as the personal safety of those performing the repairs. Standard safety procedures and precautions (including use of safety goggles and proper tools and equipment) should be followed at all times to eliminate the possibility of personal injury or improper service which could damage the vehicle or compromise its safety.

INSTALLATION NOTES

- **RH** refers to the *passenger side* of the vehicle.
- **LH** refers to the *driver side* of the vehicle.
- Always use the proper torque specifications.
- If applicable to this installation, torque specifications will be listed throughout the document and at the end as well.
- Please read all of these instructions and familiarize yourself with the complete process **BEFORE** you begin.

GENERAL PREPARATION AND SAFETY INFORMATION

ECS Tuning cares about your health and safety, please read the following safety information. This information pertains to automotive service in general, and while it may not pertain to every job you do, please remember and share these important safety tips.

- Park your car in a safe, well lit, level area.
- Shut the engine off and remove the key from the ignition switch.
- Make sure any remote start devices are properly disabled.
- **ALWAYS** wear safety glasses.
- Make sure the parking brake is applied until the vehicle is safely lifted and supported.
- Whether lifting a vehicle using an automotive lift or a hydraulic jack, be sure and utilize the factory specified lift points.
- Lifting a vehicle in an incorrect location can cause damage to the suspension/running gear.
- **ALWAYS** support the vehicle with jack stands.
- **ALWAYS** read and follow all safety information and warnings for the equipment you are using.

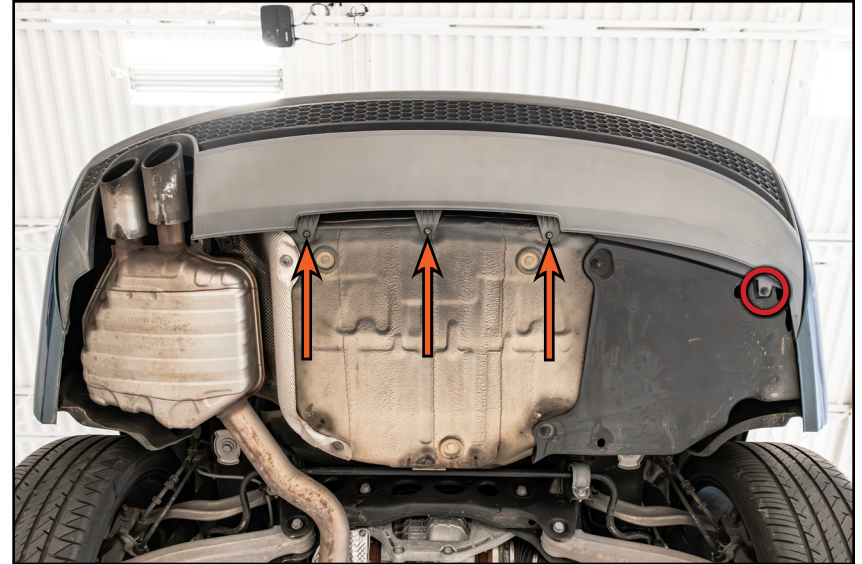


NEVER get underneath a vehicle that is supported only by a jack, and **ALWAYS** make sure that the vehicle is securely supported on jack stands.

INSTALLING THE REAR DIFFUSER KIT

Step 1: Trim Removal Tool, T25 Torx Socket & Ratchet

Remove the three screws (arrows), and push rivet (circled in **RED**) that secure the rear valance to the underside of the vehicle.



Step 2:

Firmly pull the valance away from the bumper, starting on the sides and slowly working your way towards the center until it pops free.

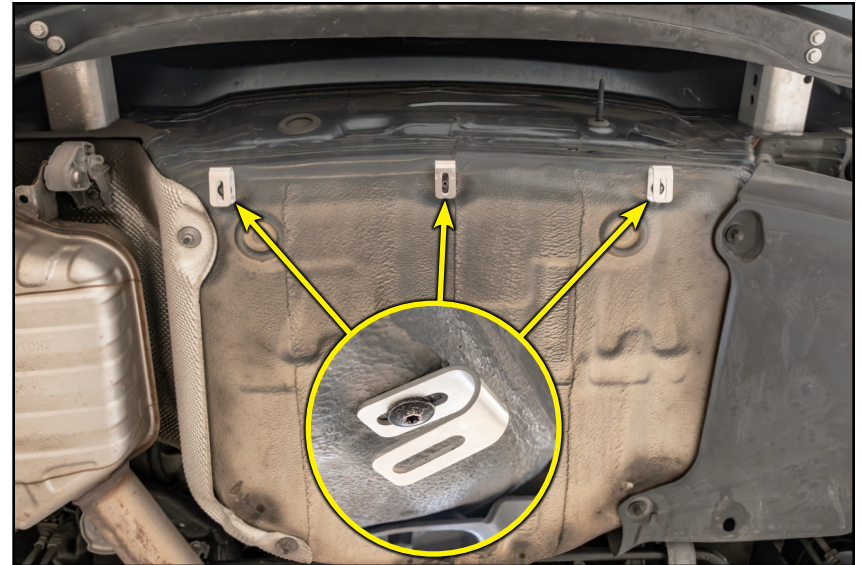
Removing the stock rear valance will take a good bit of force. Place one hand on the rear bumper to brace it, then grip the valance at the first clip and firmly pull back until the clip pops free from the bumper. Repeat this process with each clip until the valance comes free. An angled trim tool can be used to gently pry each clip free from the inside of the bumper as well.



INSTALLING THE REAR DIFFUSER KIT

Step 3: T25 Torx Socket & Ratchet

Install the provided brackets into the OE valance mounting locations and secure them into place using the OE screws (as shown in inset photo).



Step 4:

Remove the protective plastic film from the rear diffuser.



INSTALLING THE REAR DIFFUSER KIT

Step 5:

Carefully lift the new diffuser into place and gently push inward to pop the mounting clips into the bumper, holding it in place.

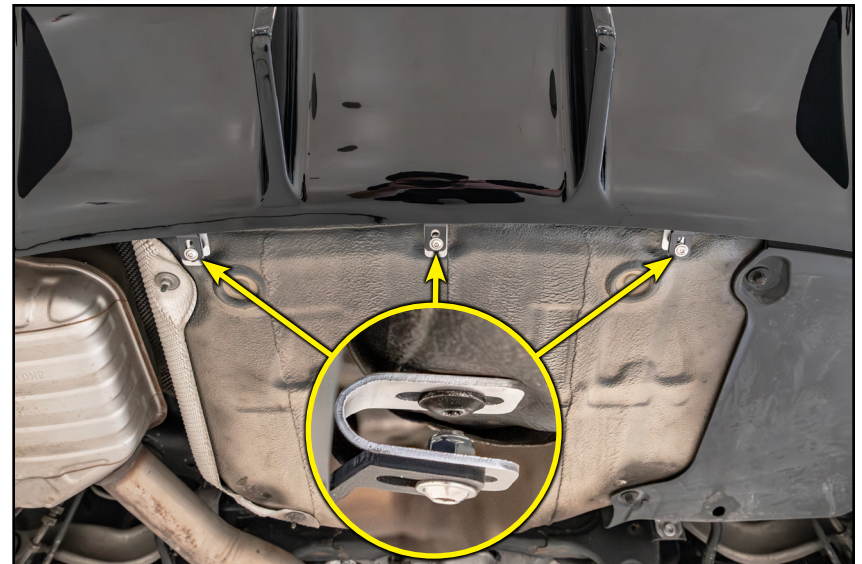


Step 6: 10mm Wrench, 4mm Hex (Allen) Socket & Ratchet

Install the provided bolts through the diffuser and brackets, install the nuts (as shown in inset photo), and tighten them until snug.



Be careful not to over tighten the hardware. Over tightening can damage the diffuser.



Congratulations, your installation is complete!

Your Rear Diffuser Kit installation is complete!



These instructions are provided as a courtesy by ECS Tuning

Proper service and repair procedures are vital to the safe, reliable operation of all motor vehicles as well as the personal safety of those performing the repairs. Standard safety procedures and precautions (including use of safety goggles and proper tools and equipment) should be followed at all times to eliminate the possibility of personal injury or improper service which could damage the vehicle or compromise its safety.

Although this material has been prepared with the intent to provide reliable information, no warranty (express or implied) is made as to its accuracy or completeness. Neither is any liability assumed for loss or damage resulting from reliance on this material. SPECIFICALLY, NO WARRANTY OF MERCHANTABILITY, FITNESS FOR A PARTICULAR PURPOSE OR ANY OTHER WARRANTY IS MADE OR TO BE IMPLIED WITH RESPECT TO THIS MATERIAL. In no event will ECS Tuning, Incorporated or its affiliates be liable for any damages, direct or indirect, consequential or compensatory, arising out of the use of this material.