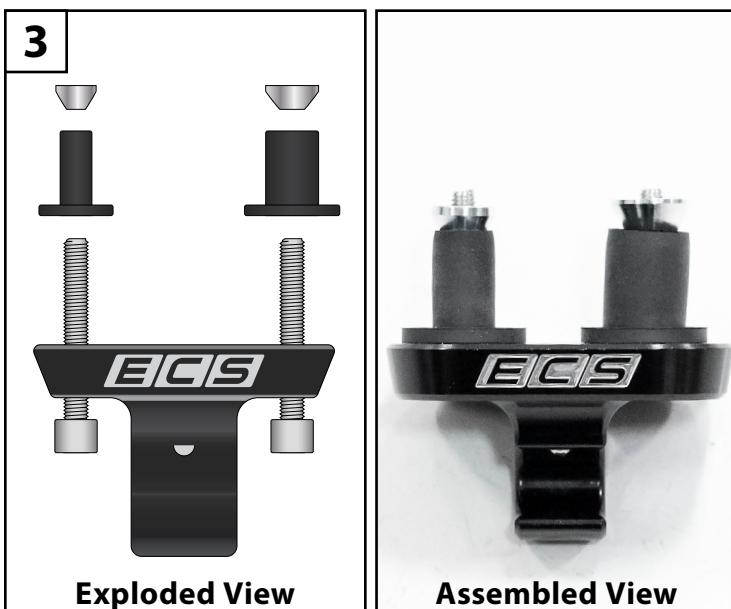
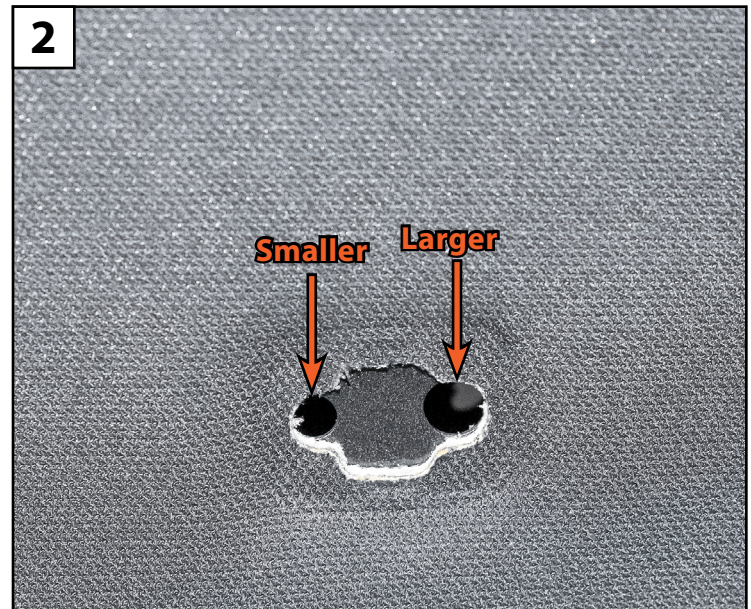
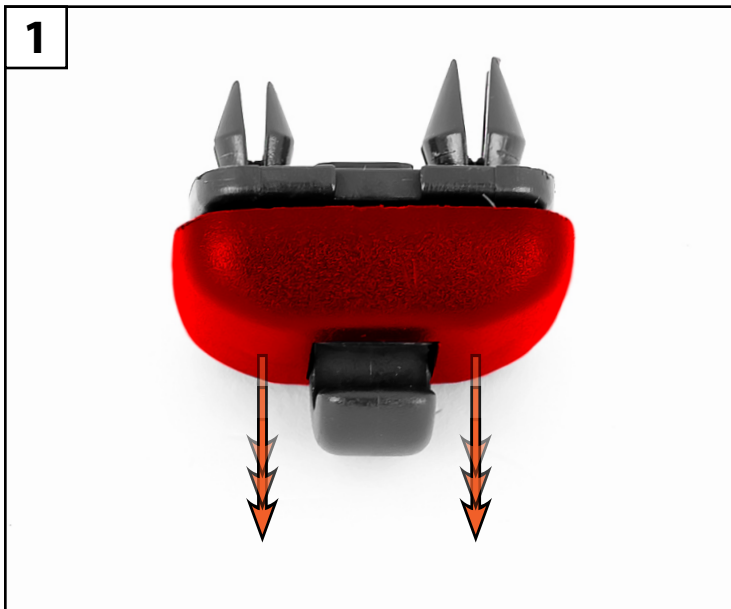


## Audi Billet Sun Visor Clip Kit Installation Overview - [Click HERE to Shop](#)



1. Slide a trim removal tool between the plastic cover (highlighted in **RED**) and the OE sun visor clip, then pry the cover free and remove the sun visor clip.
2. Note the orientation of the mounting holes, the LH hole is smaller, the RH hole is larger.
3. Assemble the new clips as shown with the smaller rubber insert and conical nut on the LH side, and the larger on the RH side, tighten the screws until the conical nuts make contact with the rubber.
4. Slide the assembled clip into the body, then tighten the screws (arrows) until fully snug.

***Congratulations, your installation is complete!***



Proper service and repair procedures are vital to the safe, reliable operation of all motor vehicles as well as the personal safety of those performing the repairs. Standard safety procedures and precautions (including use of safety goggles and proper tools and equipment) should be followed at all times to eliminate the possibility of personal injury or improper service which could damage the vehicle or compromise its safety.